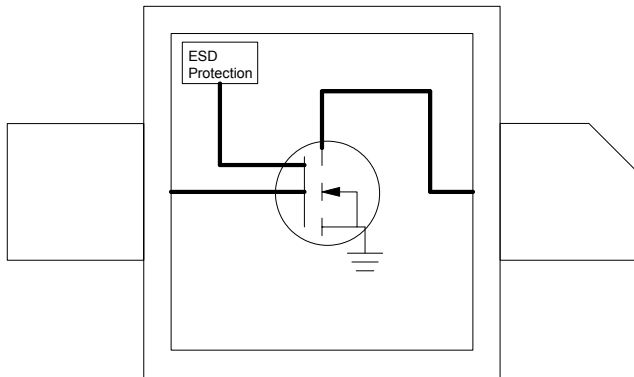




## Product Description

Sirenza Microdevices' **SLD-1083CZ** is a robust 4 Watt high performance LDMOS transistor designed for operation from to 2700MHz. It is an excellent solution for applications requiring high linearity and efficiency at a low cost. The SLD-1083CZ is typically used in the design of driver stages for power amplifiers, repeaters, and RFID applications. The power transistor is fabricated using Sirenza's latest, high performance LDMOS II process.

## Functional Schematic Diagram



Case Flange = Ground

## RF Specifications

Symbol	Parameter	Unit	Min	Typ	Max
Frequency	Frequency of Operation	MHz	-	-	2700
Gain	3 Watt CW, 902-928MHz	dB	18	19	-
Efficiency	Drain Efficiency at 3 Watt CW, 915MHz	%	40	43	-
IRL	Input Return Loss, 3 Watt Output Power, 915MHz	dB	-9.5	-12	-
Linearity	3 <sup>rd</sup> Order IMD at 3 Watt PEP (Two Tone), 915MHz	dBc	-	-30	-26
	1dB Compression ( $P_{1dB}$ ), 915MHz	Watt	-	4	-
	IS-95, 9 Ch Fwd, Offset=750KHz, ACPR Integrated Bandwidth, ACPR=-55dB	dBm	-	21	-
	IS-95, 9 Ch Fwd, Offset=750KHz, ACPR Integrated Bandwidth, ACPR=-45dB	dBm	-	29	-
$R_{TH}$	Thermal Resistance (Junction-to-Case)	°C/W		11	

Test Conditions  $V_{DS} = 28.0V$ ,  $I_{DQ} = 50mA$ ,  $T_{Flange} = 25°C$

## DC Specifications

Symbol	Parameter	Unit	Min	Typical	Max
$g_m$	Forward Transconductance @ 30mA $I_{DS}$	mA / V		150	
$V_{GS}$ Threshold	$I_{DS}=3mA$ , $V_{DS}=28V$	Volts		4.2	
$V_{GS}$ Quiescent	$I_{DS}=50mA$ , $V_{DS}=28V$	Volts	3	4	5
$V_{DS}$ Breakdown	1mA $V_{DS}$ current	Volts		65	
$C_{iss}$	Input Capacitance (Gate to Source) $V_{GS}=0V$ $V_{DS}=28V$	pF		5.2	
$C_{rss}$	Reverse Capacitance (Gate to Drain) $V_{GS}=0V$ $V_{DS}=28V$	pF		0.2	
$C_{oss}$	Output Capacitance (Drain to Source) $V_{GS}=0V$ $V_{DS}=28V$	pF		3.2	
$R_{DSon}$	Drain to Source Resistance, $V_{GS}=10V$ $V_{DS}=250mV$	$\Omega$		3.0	

The information provided herein is believed to be reliable at press time. Sirenza Microdevices assumes no responsibility for inaccuracies or omissions. Sirenza Microdevices assumes no responsibility for the use of this information, and all such information shall be entirely at the user's own risk. Prices and specifications are subject to change without notice. No patent rights or licenses to any of the circuits described herein are implied or granted to any third party. Sirenza Microdevices does not authorize or warrant any Sirenza Microdevices product for use in life-support devices and/or systems. Copyright 2005 Sirenza Microdevices, Inc. All worldwide rights reserved.

303 S. Technology Court,  
Broomfield, CO 80021

Phone: (800) SMI-MMIC

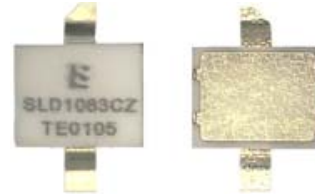
1

<http://www.sirenza.com>  
EDS-104013 Rev F

## SLD-1083CZ



### 4 Watt Discrete LDMOS FET in Ceramic Package



### Product Features

- 4 Watt Output  $P_{1dB}$
- Single Polarity Supply Voltage
- High Gain: 18 dB at 915 MHz
- High Efficiency: 43% at 3W CW
- XeMOS II LDMOS
- Integrated ESD Protection, Class 1B

### Applications

- Base Station PA driver
- Repeaters
- RFID
- Military Communication
- GSM/CDMA

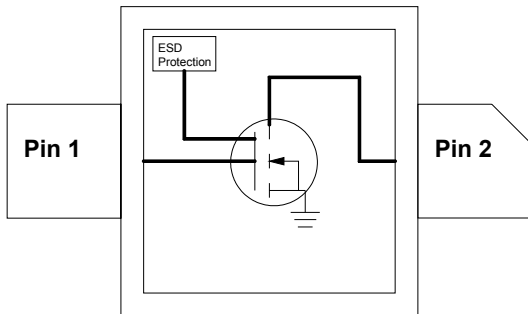
### Quality Specifications

Parameter	Description	Unit	Typical
ESD Rating	Human Body Model	Volts	750
MTTF	85°C Leadframe, 200°C Channel	Hours	1.2 X 10 <sup>6</sup>

### Pin Description

Pin #	Function	Description
1	Gate	Transistor RF input and gate bias voltage. The gate bias voltage must be temperature compensated to maintain constant bias current over the operating temperature range. Care must be taken to protect against video transients that exceed the maximum input power or voltage.
2	Drain	Transistor RF output and drain bias voltage. Typical voltage 28V.
Flange	Source, Gnd	Exposed area on the bottom side of the package needs to be mechanically attached to the ground plane of the board for optimum thermal and RF performance. See mounting instructions for recommendation.

### Pin Diagram



Case Flange = Ground

**Note 1:**

Gate voltage must be applied to V<sub>GS</sub> lead concurrently or after application of drain voltage to prevent potentially destructive oscillations. Bias voltages should never be applied to the transistor unless it is properly terminated on both input and output.

**Note 2:**

The required V<sub>GS</sub> corresponding to a specific I<sub>DQ</sub> will vary from device to device due to the normal die-to-die variation in threshold voltage with LDMOS transistors.

**Note 3:**

The threshold voltage (V<sub>GSTH</sub>) of LDMOS transistors varies with device temperature. External temperature compensation may be required. See Sirenza application notes AN-067 LDMOS Bias Temperature Compensation.

### Absolute Maximum Ratings

Parameters	Value	Unit
Drain Voltage (V <sub>DS</sub> )	35	Volts
Gate Voltage (V <sub>GS</sub> )	20	Volts
RF Input Power	+30	dBm
Load Impedance for Continuous Operation Without Damage	10:1	VSWR
Output Device Channel Temperature	+200	°C
Lead Temperature During Solder Reflow	+270	°C
Operating Temperature Range	-20 to +90	°C
Storage Temperature Range	-40 to +100	°C

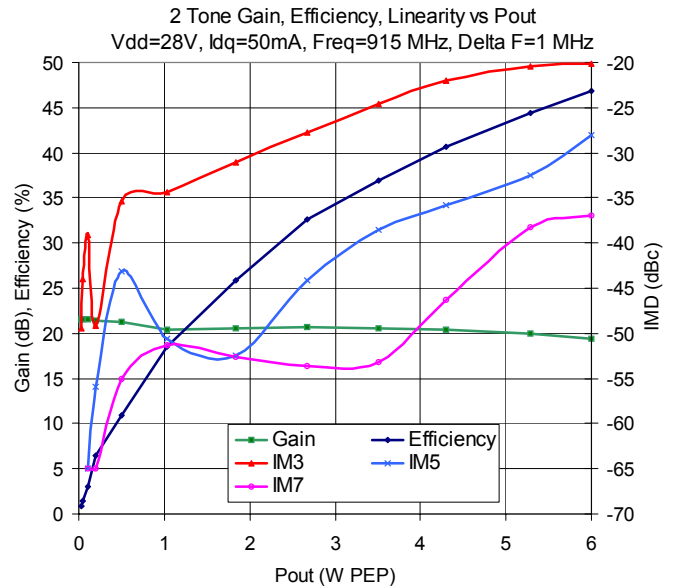
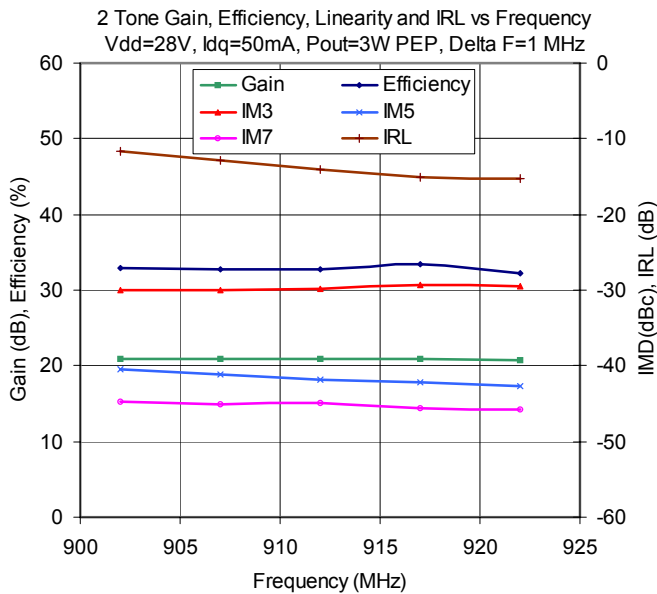
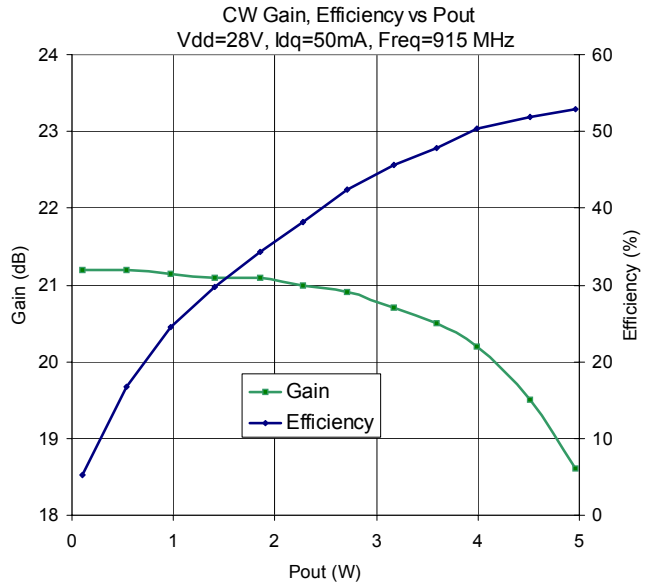
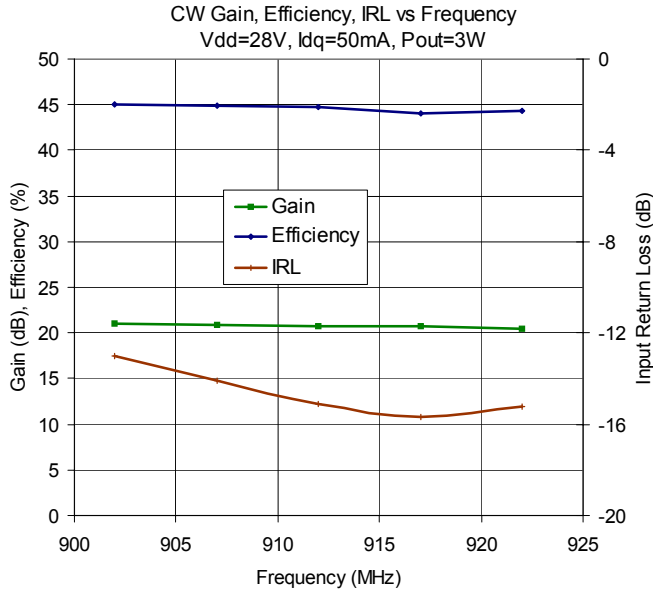
Operation of this device beyond any one of these limits may cause permanent damage. For reliable continuous operation see typical setup values specified in the table on page one.



**Caution: ESD Sensitive**

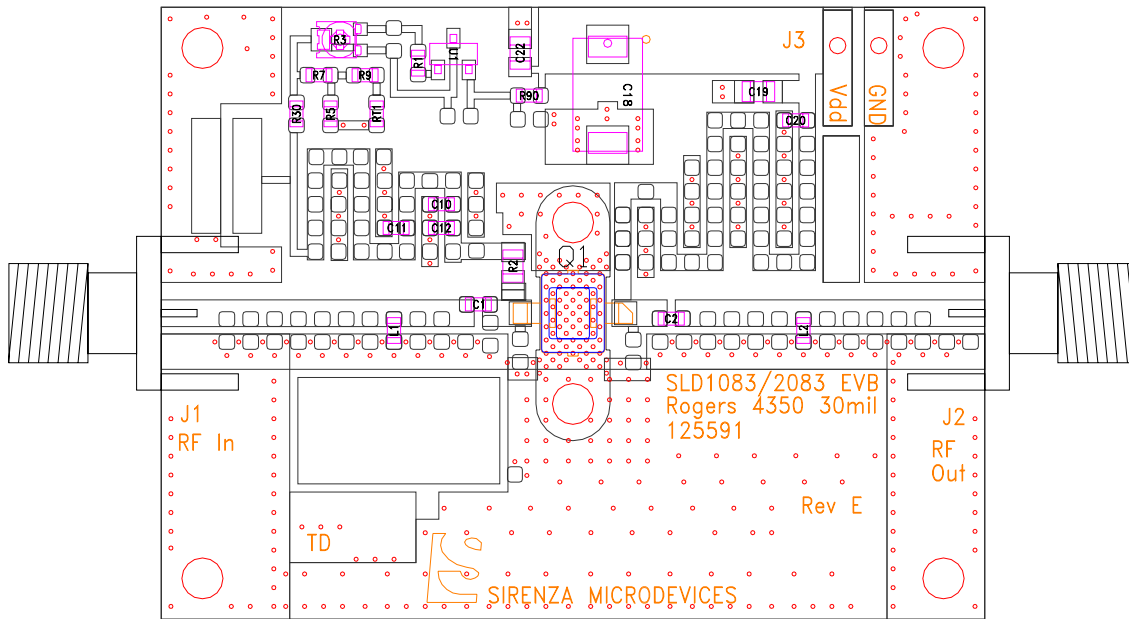
Appropriate precaution in handling, packaging and testing devices must be observed.

**Typical Performance Curves in 900 MHz Application Circuit**



To receive Gerber files, DXF drawings, and assembly recommendations for the test board with fixture, contact applications support at [support@sirenza.com](mailto:support@sirenza.com).

**900 MHz Application Circuit**

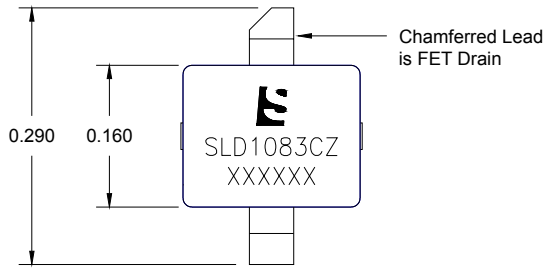


**Bill of Materials - 900 MHz Application Circuit**

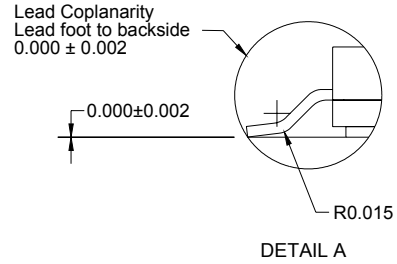
Reference Designation	Description	Mfg	Mfg part #
C1	CAP 68 pF250V 5% 0603	ATC	600S680JT250XT
C2	CAP 18 pF250V 2% 0604	ATC	600S180GT250XT
L1	IND, 16 nH 5% 0603	Coilcraft	0603CS-160XJB
L2	IND, 9.5 nH 5% nH 0603	Coilcraft	0603CS-9N5XJB
C10	CAP 0.1 uF 16V 10% 0603	AVX	0603YG104ZA2A
C11, C20	CAP 1000 pF 50V 10% 603	AVX	06035C102KAT2A
C12	CAP 68pF 250V 5% 603	ATC	600S680JT250XT
C18	CAP 10 uF 35V 20% TAN T ELECT	Kemet	T494D106M035AS
C19, C22	CAP 0.1 uF 50V 10% 805	Panasonic	ECJ2YB1H104K
J1, J2	Connector SMA END 0.037	Johnson	142-0751-821
J3	Connector MTA SMD R/A 2 PIN	Amp	640455-2
R1	RES 324 1/16W 1% 603	Panasonic	ERJ-3EKF3240V
R2	RES 0 Ohm jumper 805	Panasonic	ERJ6GEY0R00V
R3	POT TRIM 500 OHM 2MM	Panasonic	EVM-2WSX80B52
R30	RES 49.9 1/16W 1% 603	Panasonic	ERJ-EKF49R9V
R5	RES 130 1/16W 1% 603	Panasonic	ERJ-3EKF1300V
R7	RES 210 1/16W 1% 603	Phillips	9C06031A2100FKHFT
R9	RES 0 1/16W 5% 603	Panasonic	ERJ-3GSY0R00V
R90	RES 1.0K 1/16W 1% 603	Panasonic	ERJ-3EKF1001V
RT1	THERMISTOR 100K 5% 603	Panasonic	ERT-J1VV104J
U1	IC VOLT REG 100 MA 5 V SOT-23	National	LM3480IM3-5.0
6 Screws	SCREW #2-56 PHILIPS PAN HEAD	various	-
6 Washers	WASHER #2 FLAT SS	various	-
PCB	PCB, 30 mils thick Dk=3.48	Rogers	4350
Heatsink	machined aluminium	various	-

To receive Gerber files, DXF drawings, and assembly recommendations for the test board with fixture, contact applications support at [support@sirenza.com](mailto:support@sirenza.com).

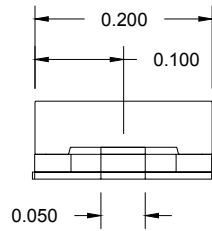
## Package Outline Drawing



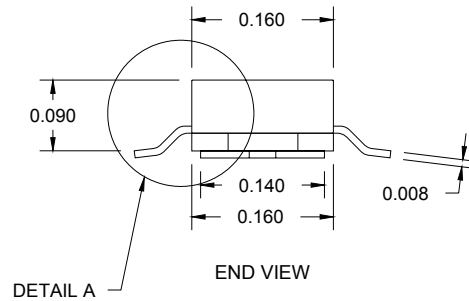
TOP VIEW



DETAIL A



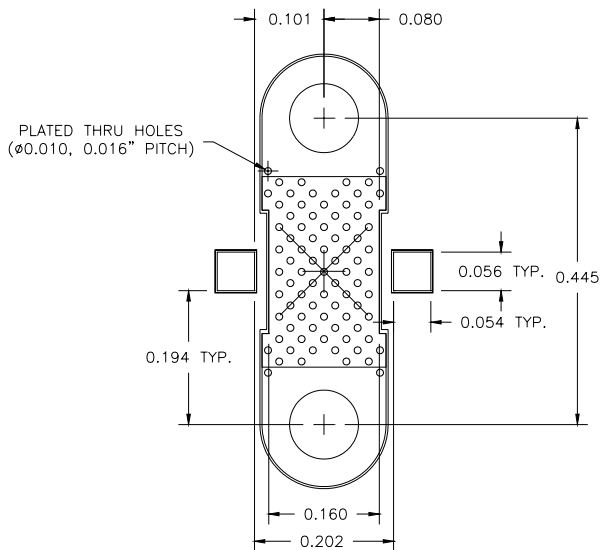
SIDE VIEW



END VIEW

DETAIL A

## Recommended Landing Pads for the RF083 Package



## Part Number Ordering Information

Part Number	Devices Per Reel	Reel Size
SLD-1083CZ	500	7"

All Dimensions are in inches